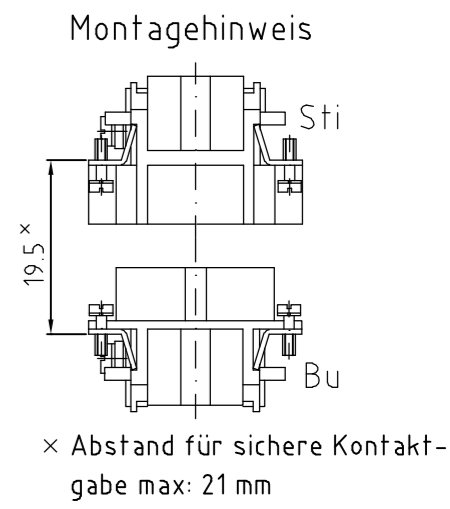
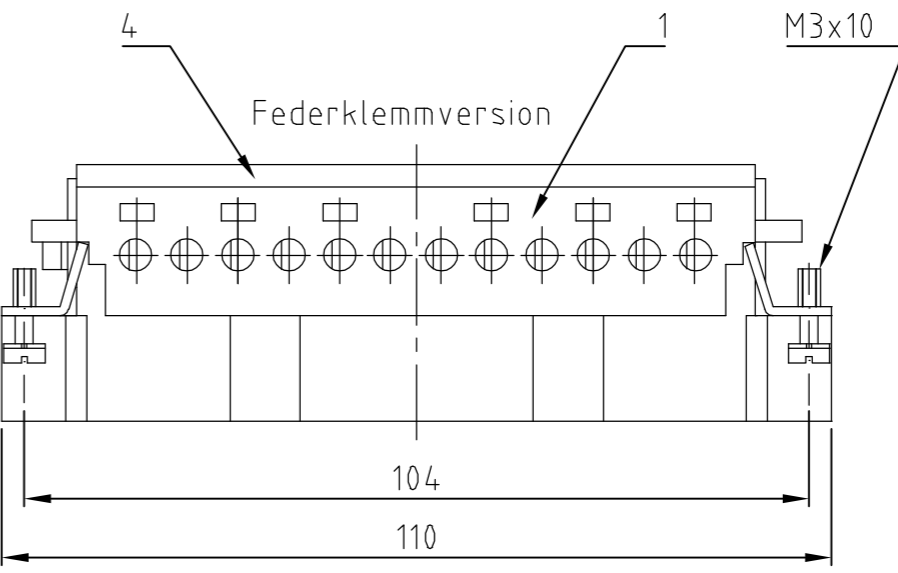
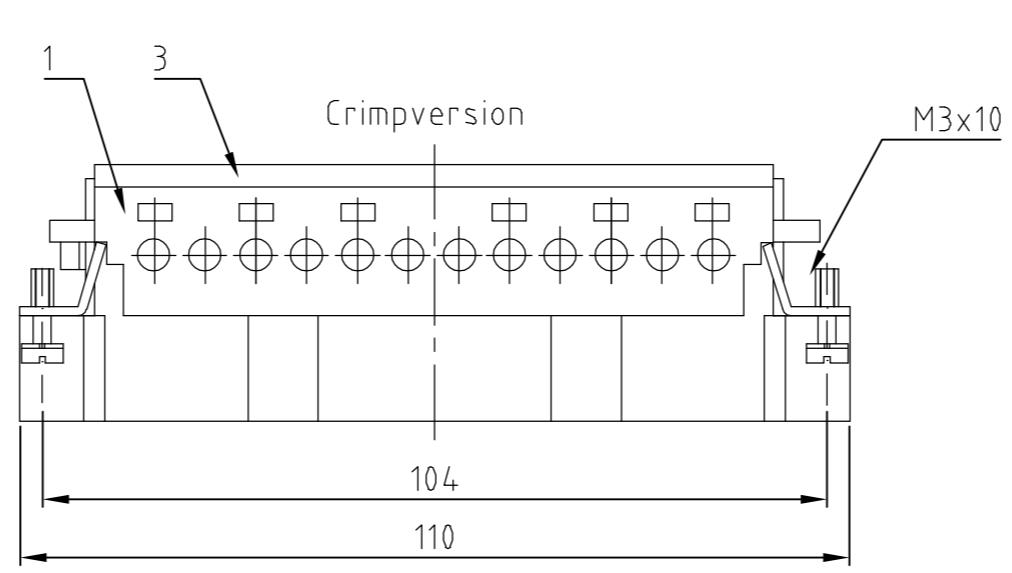
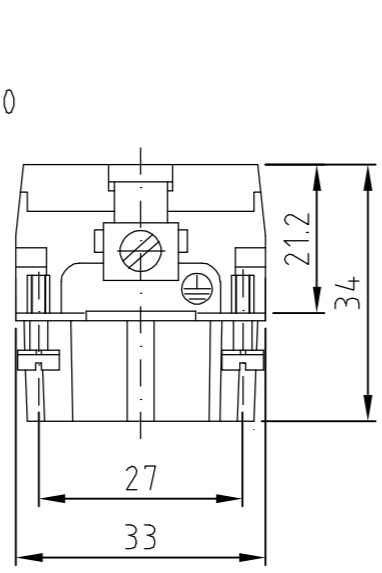
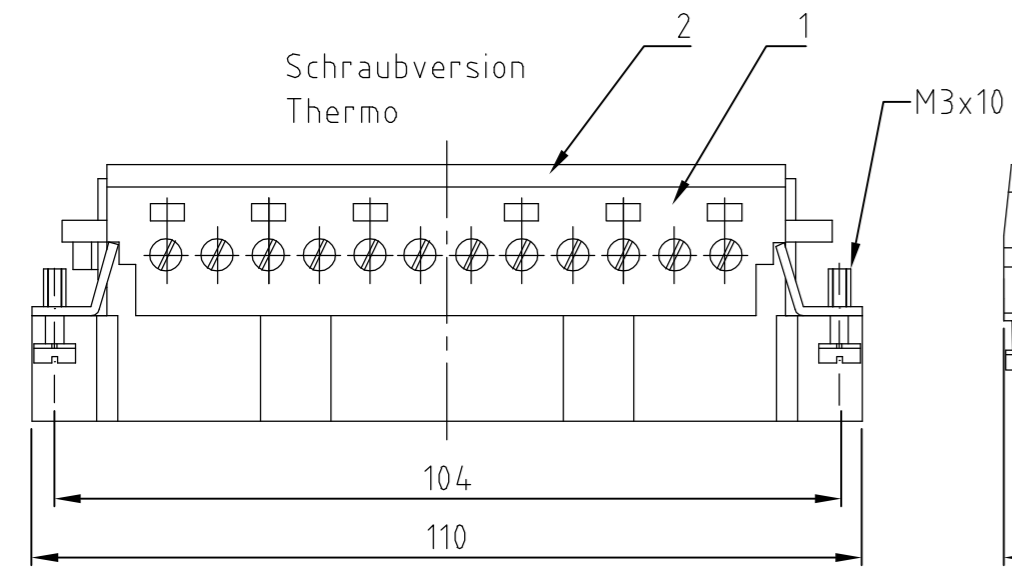
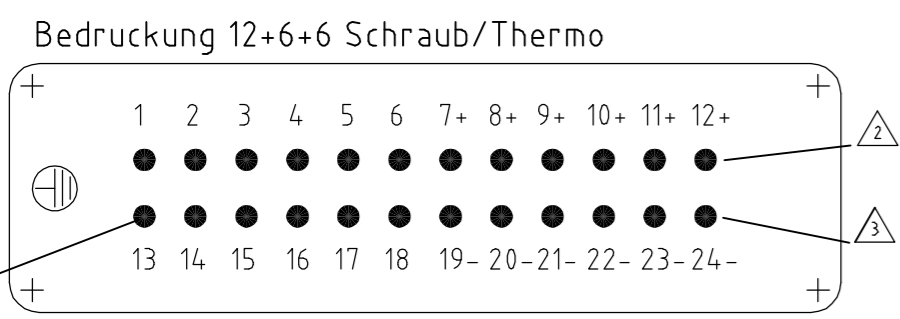
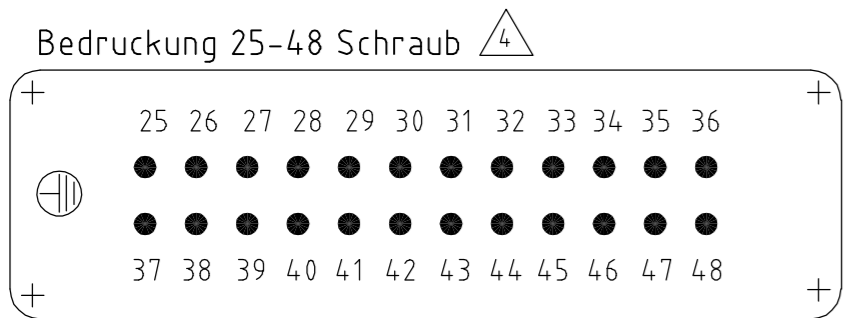
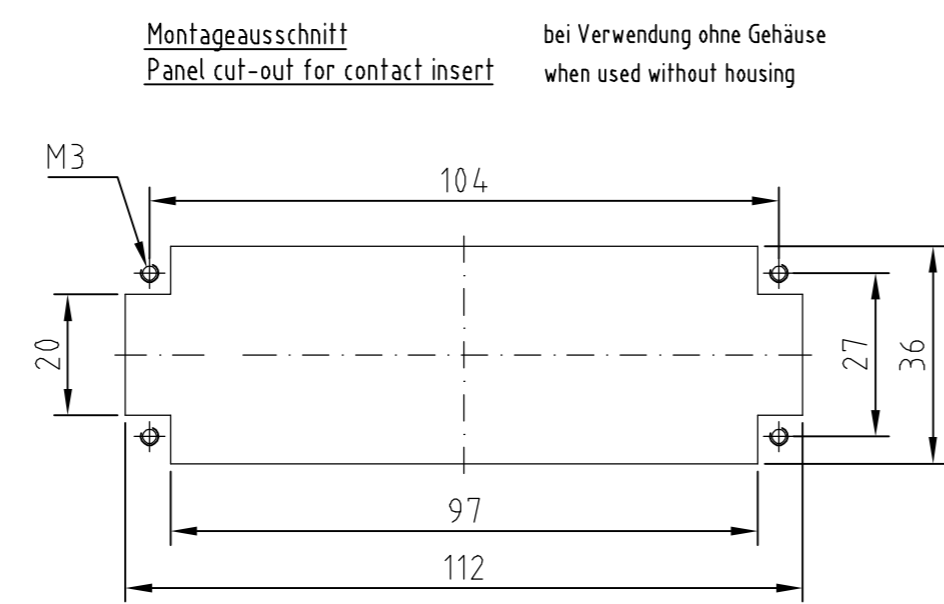
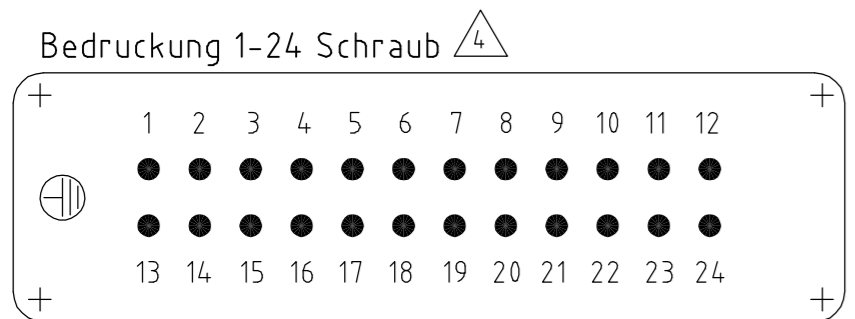
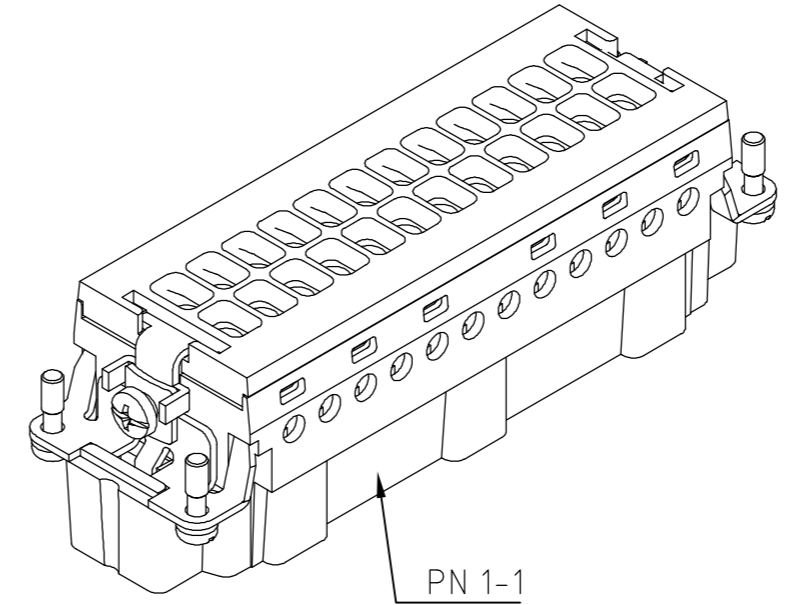
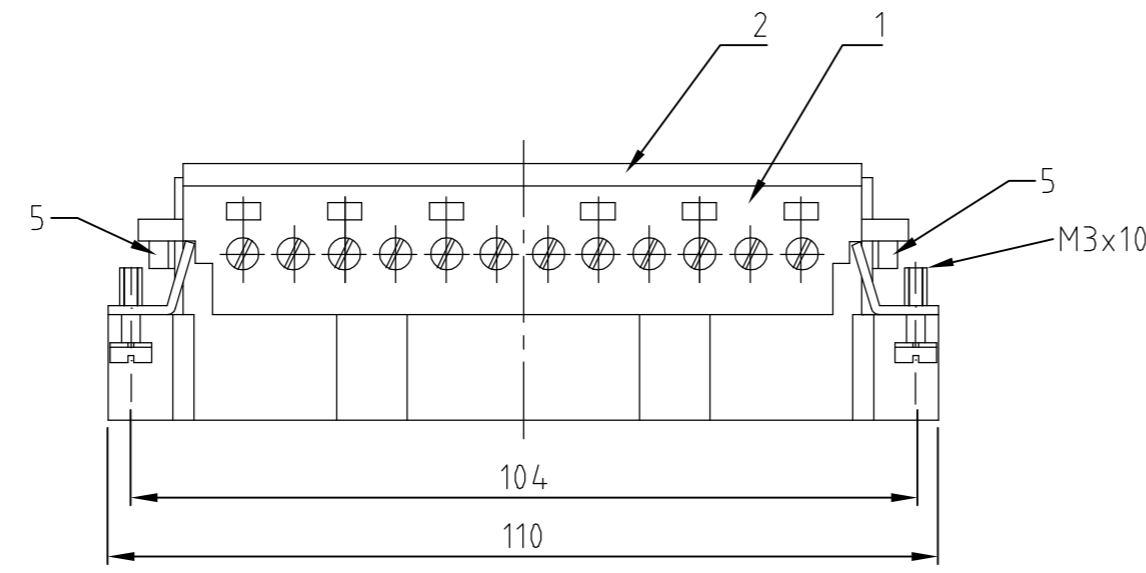
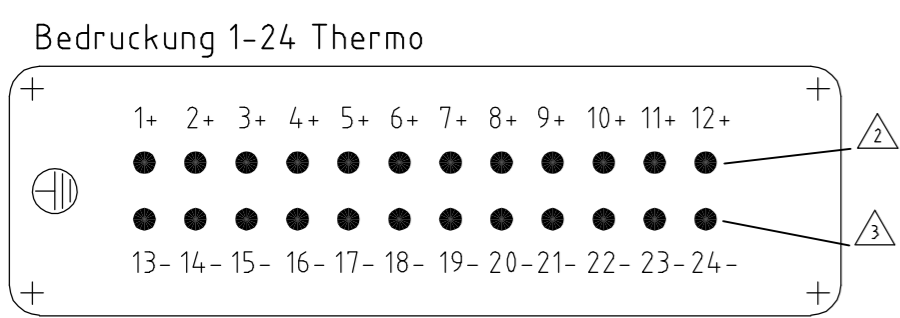


LOC	DIST	REVISIONS			
AI	-	P	LTR	DESCRIPTION	DATE
PROJEKT NR.:		A11	Packaging added	ECR-66-021227	04.09.06
					SR
					SM



Kontaktanordnung Ansicht Anschlußseite  
Contact arrangement view from termination side



- Notes,
- ① Material: insert, PC  
UL-File Nr.: E101788(R)
  - ② Finish: contact, Fe
  - ③ Material contact: CuNi  
Konstantan
  - ④ Contact Surface:  
Silver, Gold
  - ⑤ Strip length:  
Screw conection 7mm  
Spring clamp conection 10mm  
Crimp conection 7.5mm
  - ⑥ Material: cover PBT  
UL-File Nr.: E69578
  - ⑦ Packaging: 200 pieces

2					Zylinderschraube/cylinder screw	Stahl/steel	vernickelt/blau	5	M4x6							
	1			1 1	Deckel Federklemmversion/cover spring clamp version	④	lichtgrau/light grey	4								
				1 1	Deckel Crimpversion/cover crimp version	④	lichtgrau/light grey	3								
1	1	1	1	1	Deckel Schraubversion/cover screw version	④	lichtgrau/light grey	2								
1	1	1	1	1	Stifteinsatz/pin insert	④	lichtgrau/light grey	1								
1-2	0-1	9-3	1-8	9-5	9-4	7-9	7-12	2-3	1-9	1-7	1-1	DESCRIPTION / BENENNUNG	MATERIAL	COLOR / FARBE	ITEM NO. Pos.	REMARKS / BEMERKUNGEN
HE.24.STI.S.B1-24+2ES	④															
HE.24.STI.S.B1-24.KM																
HE.24.STI.S.C-AU.B1-24																
HE.24.STI.S.B-T 12+6+6																
HE.24.STI.S-AU.B1-24																
HE.24.STI.S-AU.B25-48																
HE.24.STI.S.C.B25-48																
HE.24.STI.S.C.B1-24																
HE.24.STI.C.B25-48																
HE.24.STI.C.B1-24																
HE.24.STI.S.B25-48																
HE.24.STI.S-T.B1-24																
HE.24.STI.S.B1-24																